

TOTAL SOLUTIONS™

TSS-4000



TOTAL SPEAKER SOLUTIONS

TSS-FMK4000

Owner's Guide



INTRODUCTION

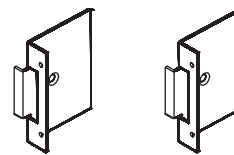
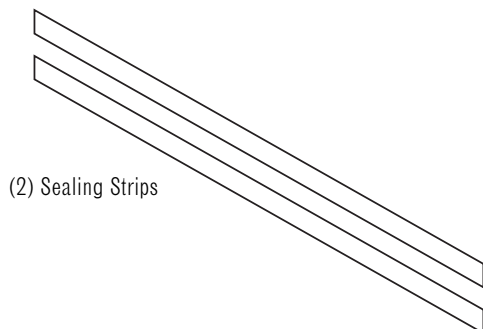
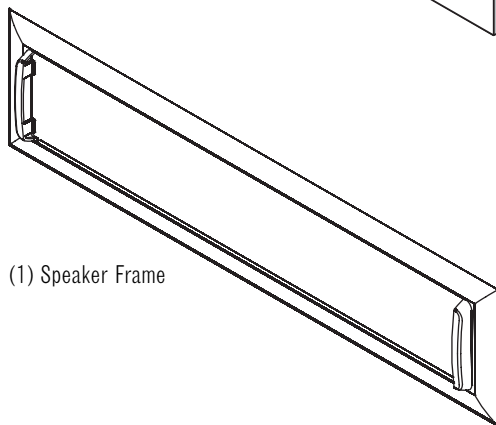
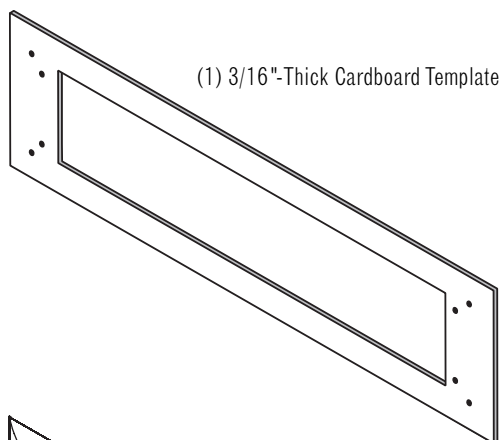
The TSS-FMK4000 allows you to recess a TSS-SAT4000 or TSS-CENTER4000 into the wall. When installed, the speaker will extend beyond the wall approximately 1."

Unpacking the Components

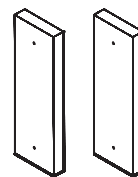
Finish unpacking the flush-mount kit and check the contents. If you suspect damage from transit, report it immediately to your dealer. Keep the shipping carton and packing materials for future use.

Contents

Please verify that the package contains the following items:



(2) End Brackets



(2) Mounting Blocks



(4) #8 x 1" Flat-Head Wood Screws



(4) #8 x 1-1/8" Pan-Head Wood Screws



(2) 1/4-20 x 3/4" Flat-Head Machine Screws

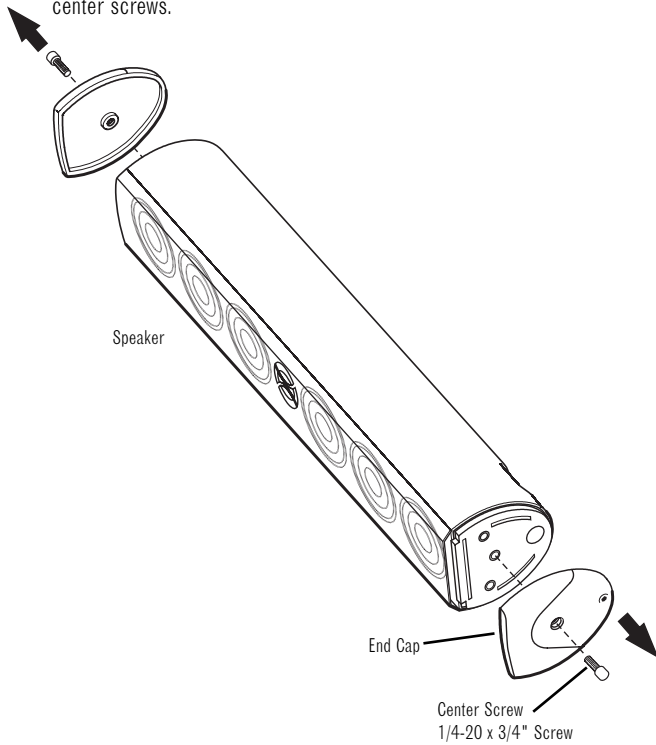
Important Notes:

1) In order to horizontally flush-mount the TSS-CENTER4000 in a wall with standard 16" spacing between the studs, some modification to that area of the wall will be necessary. This type of installation will require a professional licensed contractor to install horizontal braces that comply with the customer's local building codes.

2) For a **satellite** installation, follow all the steps but cut the hole in a vertical direction, perpendicular to the floor. See exploded view on page 7.

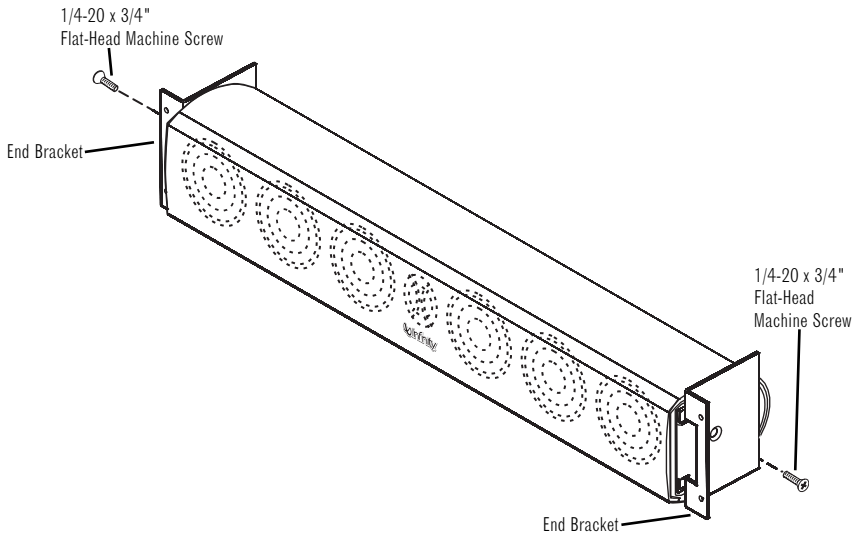
Step One

Remove both end caps of the speaker by unscrewing the single center screws.



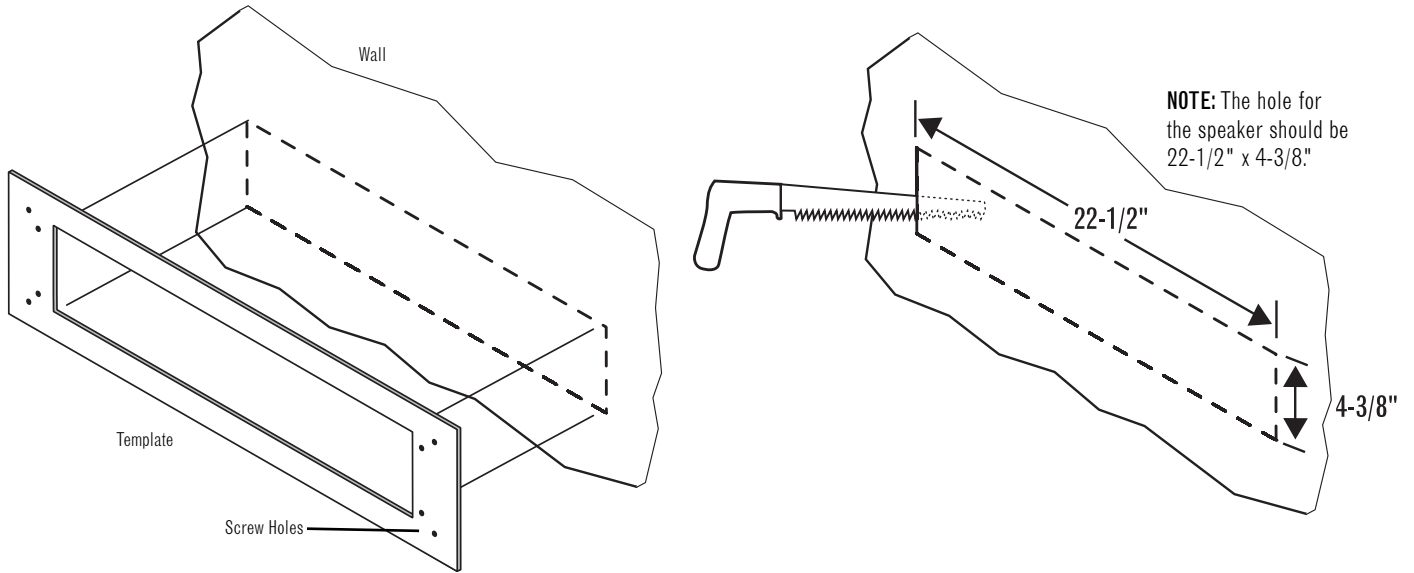
Step Two

Attach both of the end brackets to the speaker ends with the 1/4-20 x 3/4" flat-head machine screw, as shown.



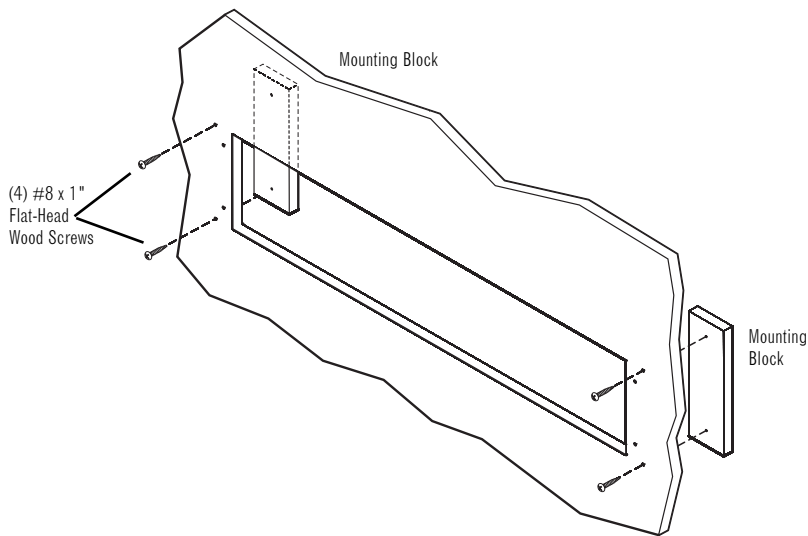
Step Three

After you have found the correct placement on the wall for the speaker, use the template provided to draw the exact-sized hole required. Make sure to use a level when positioning the template to ensure that your installation is level. Then cut out the drywall to create the hole.



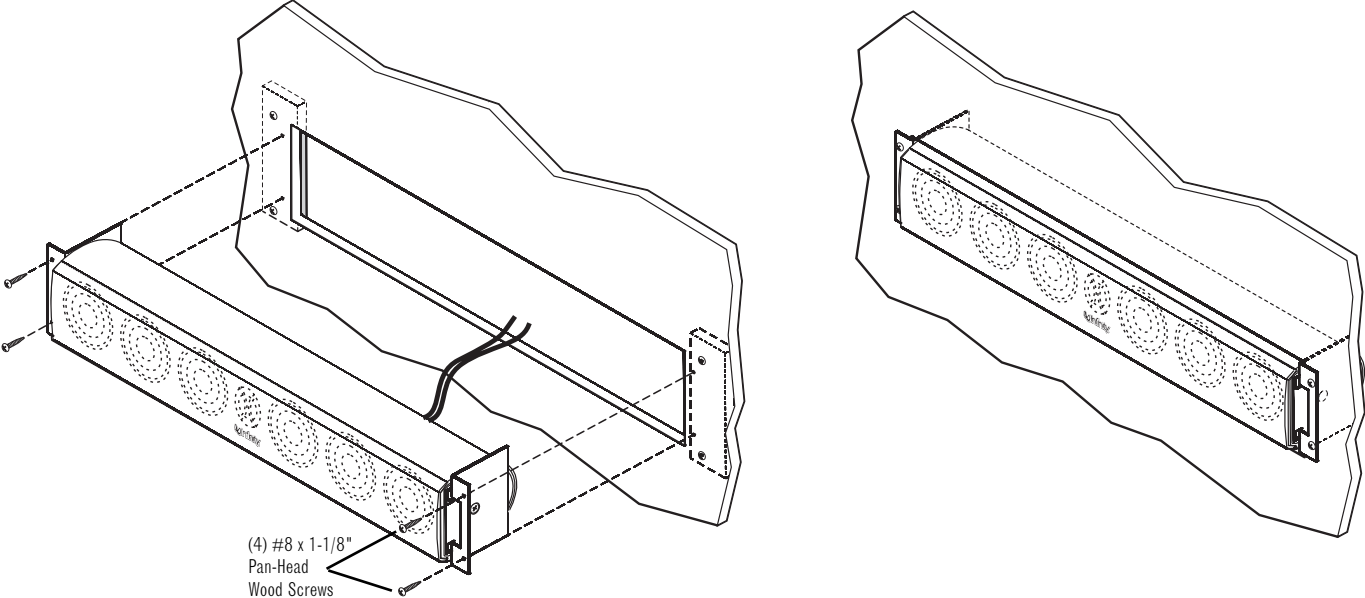
Step Four

Place the mounting blocks inside the hole at either end. Use two #8 x 1" flat-head wood screws to secure them in place.



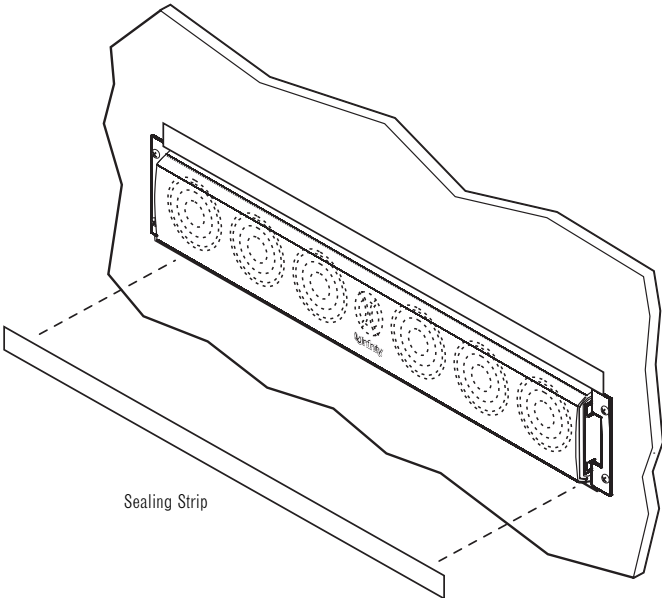
Step Five

Attach speaker wires as described in the speaker's owner's manual and, using four #8 x 1-1/8" pan-head wood screws provided, screw the speaker assembly into place, making sure that the screws anchor themselves into the mounting blocks behind the drywall.



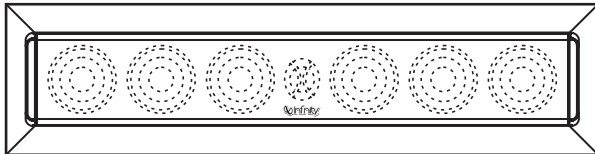
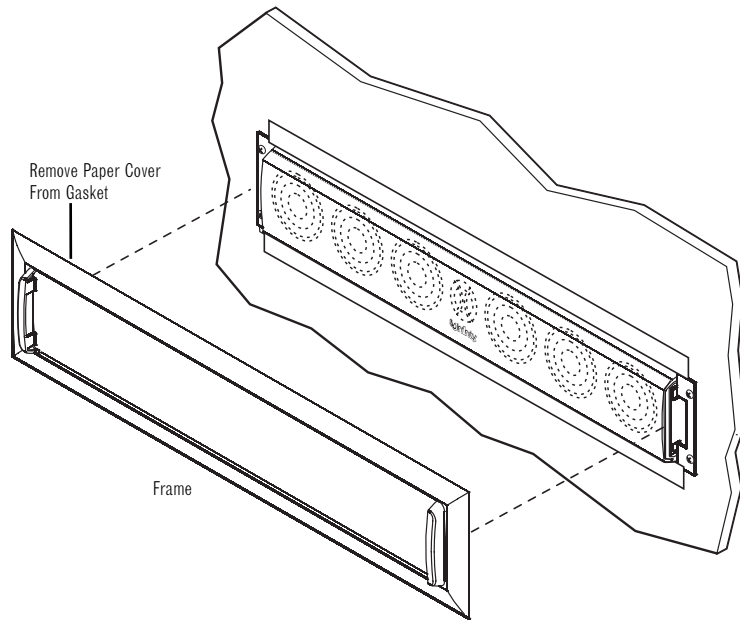
Step Six

Apply the sealing strips to either side of the speaker to cover the remaining openings of the cutout in the drywall.



Step Seven

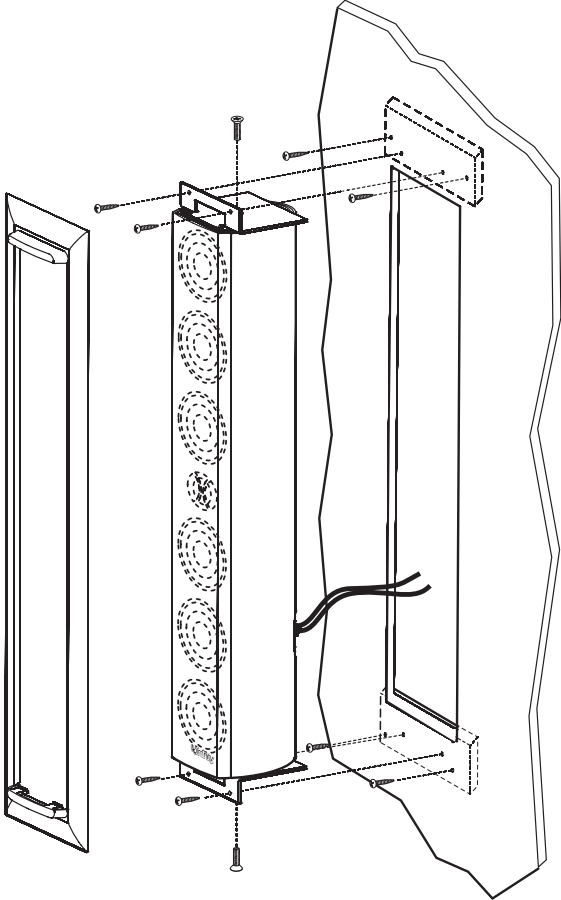
Remove the paper cover from the gasket on the speaker-facing side of the frame. Place the frame over the in-wall assembly and snap it into place.



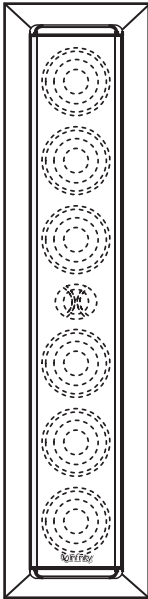
Center Speaker In-Wall Installation

Satellite Installation Exploded View

For satellite installation, repeat the steps but cut the hole in a vertical direction, perpendicular to the floor.



Satellite Speaker
In-Wall Installation





TECHNOLOGY • PERFORMANCE • DESIGN

© 2004 Harman International Industries, Incorporated
Infinity Systems, 250 Crossways Park Drive, Woodbury, NY 11797 USA 516.674.4INF (USA only)
www.infinitysystems.com

Infinity is a registered trademark, and Total Solutions is a trademark, of Harman International Industries, Incorporated.
Part No. 400-0MINKIT 10/04

 **A Harman International Company**

Infinity continually strives to update and improve existing products, as well as create new ones.
The specifications and construction details in this and related Infinity publications are therefore
subject to change without notice.